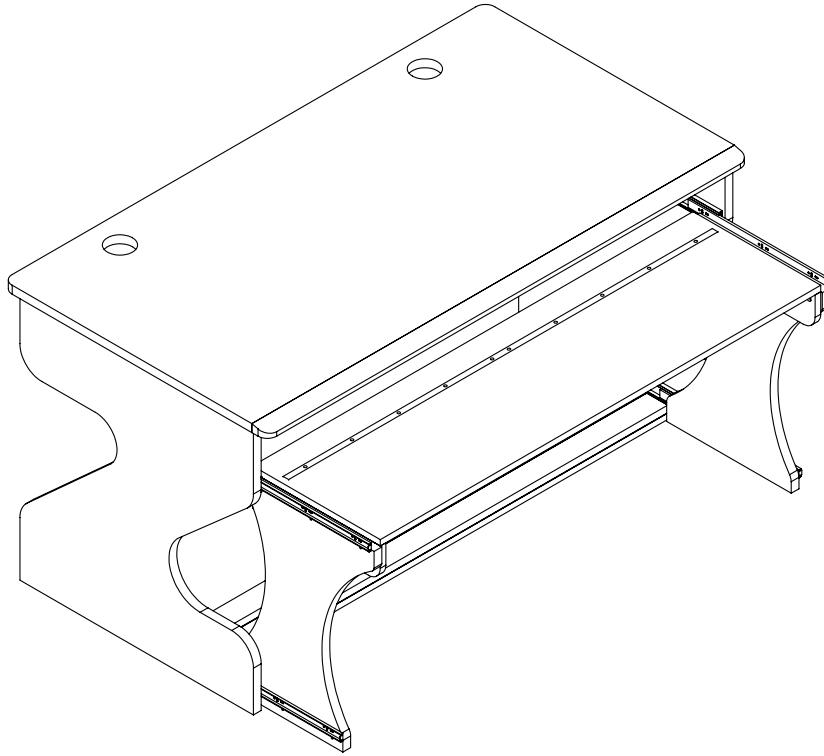
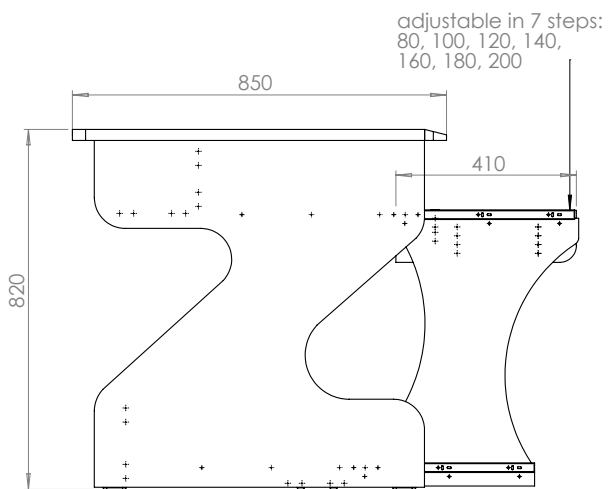


Technical Plan



SIDE VIEW



FRONT VIEW

