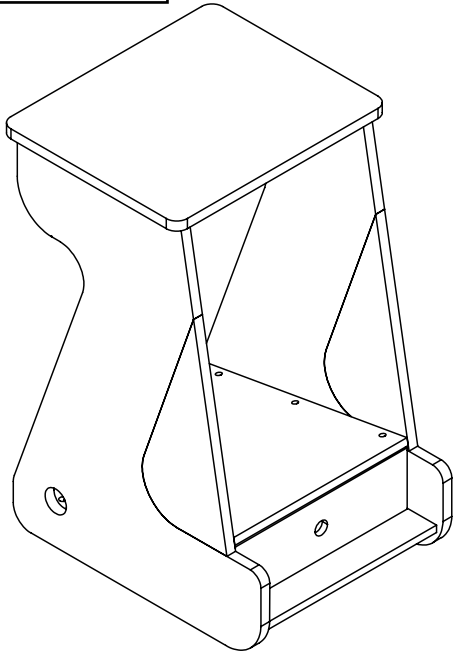
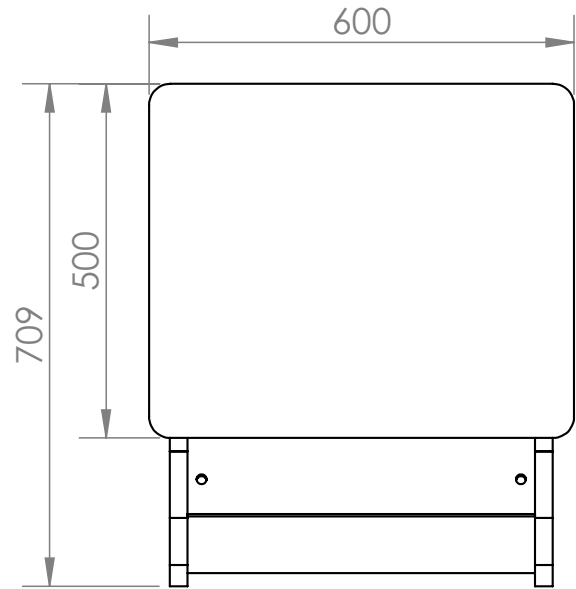


## Technical Plan

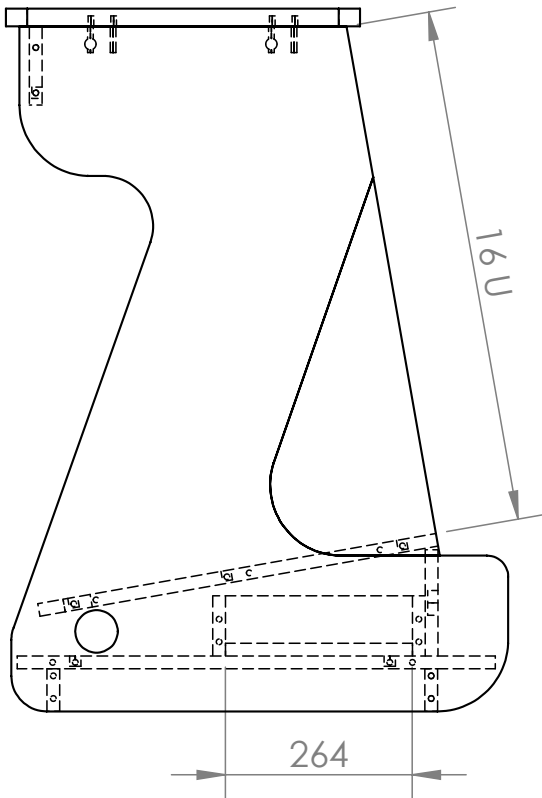
DIAGONAL VIEW



TOP VIEW



SIDE VIEW



FRONT VIEW

